

WienoldLIFTE



Parts Manual

SLK

*Wienold***Superlift**
with Counterbalance Weights

3'-10.00"
(1.17 m)

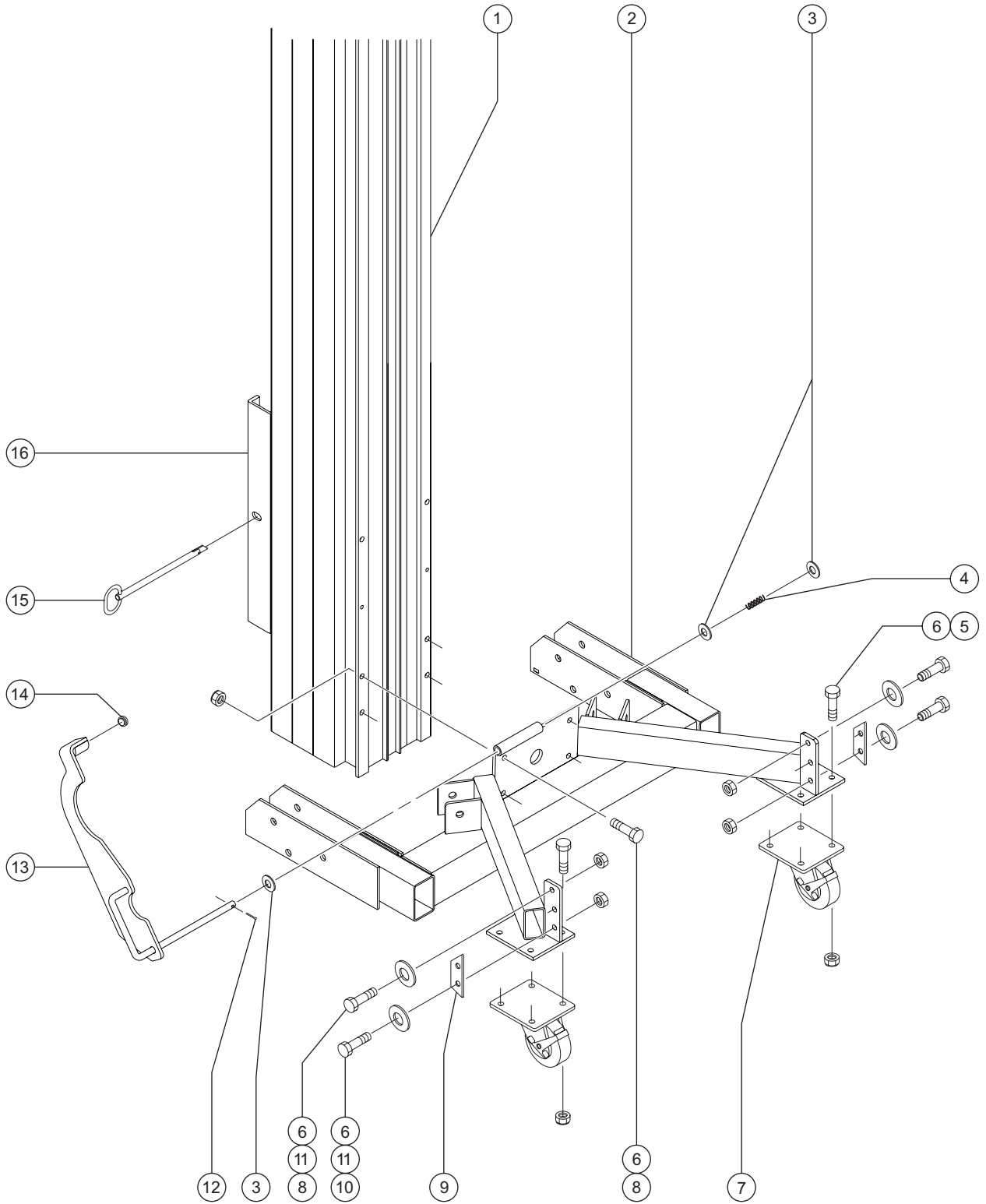
Section Seven

Base Components

Figure 7-A

Base Components - Standard

REV B



REV B

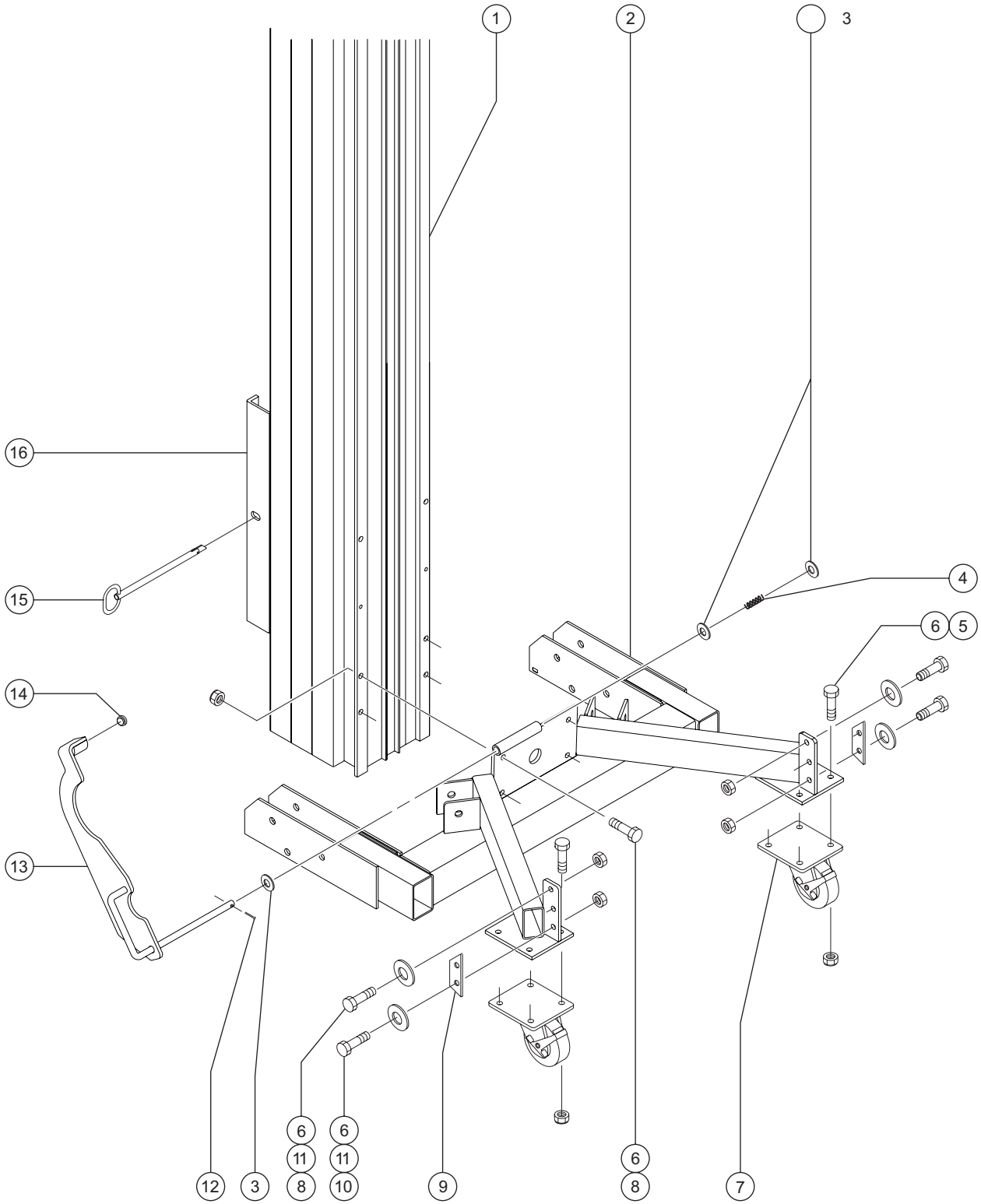
FIGURE 7-A

Item	Part No.	Description	Qty.	Item	Part No.	Description	Qty.
1	Ref.	Columns (refer to Figure 8-D)		2	107174	Standard Base Assembly with Decals (SLK-20) (after serial number SL04-25258) (USA, Canadian and Australian models after serial number SLK04-25258)	
2	80171-S	Standard Base Assembly with Decals (SLK-5) (before serial number SL04-25259)		—	107184	Standard Base Assembly with Decals (SLK-20) (after serial number SL04-25258) (Asia, S. America and European models after serial number SLK04-25258)	
—	107171	Standard Base Assembly with Decals (SLK-5) (after serial number SLK04-25258) (USA, Canadian and Australian models after serial number SLK04-25258)		—	80175-S	Standard Base Assembly with Decals (SLK-25) (before serial number SL04-25259)	
—	107181	Standard Base Assembly with Decals (SLK-5) (after serial number SL04-25258) (Asia, S. America and European models after serial number SLK04-25258)		—	107175	Standard Base Assembly with Decals (SLK-25) (after serial number SL04-25258) (USA, Canadian and Australian models after serial number SLK04-25258)	
—	80172-S	Standard Base Assembly with Decals (SLK-10) (before serial number SL04-25259)		—	107185	Standard Base Assembly with Decals (SLK-25) (after serial number SL04-25258) (Asia, S. America and European models after serial number SLK04-25258)	
—	107172	Standard Base Assembly with Decals (SLK-10) (after serial number SL04-25258) (USA, Canadian and Australian models after serial number SLK04-25258)		3	21443	Shim Washer, 0.45 x 0.75 x 0.064 inch 3	
—	107182	Standard Base Assembly with Decals (SLK-10) (after serial number SL04-25258) (Asia, S. America and European models after serial number SLK04-25258)		4	33658	Hold-down Spring 1	
—	80173-S	Standard Base Assembly with Decals (SLK-15) (before serial number SL04-25259)		5	6175	Screw - HHC, 3/8 -16 x 1 inch, GR 5	
—	107173	Standard Base Assembly with Decals (SLK-15) (after serial number SL04-25258) (USA, Canadian and Australian models after serial number SLK04-25258)		6	4828	Nylock Nut, 3/8 -16	
—	107183	Standard Base Assembly with Decals (SLK-15) (after serial number SL04-25258) (Asia, S. America and European models after serial number SLK04-25258)		7	57740	Rear Swivel Caster, 5 x 2 inches 2	
—	80174-S	Standard Base Assembly with Decals (SLK-20) (before serial number SL04-25259)		8	6019	Screw - HHC, 3/8 -16 x 1.25 inches, GR 5	
				9	33670	Wear Pad, 4.16 x 1.25 x 0.5 inch 2	
				10	8516	Screw - HHC, 3/8 -16 x 1.5 inches, GR 5	
				11	6097	Flat Washer, 3/8 inch	
				12	12016	Cotter Pin, 0.125 x 0.75 inch 1	

This list continues on the next page.

FIGURE 7-A

REV B



REV B

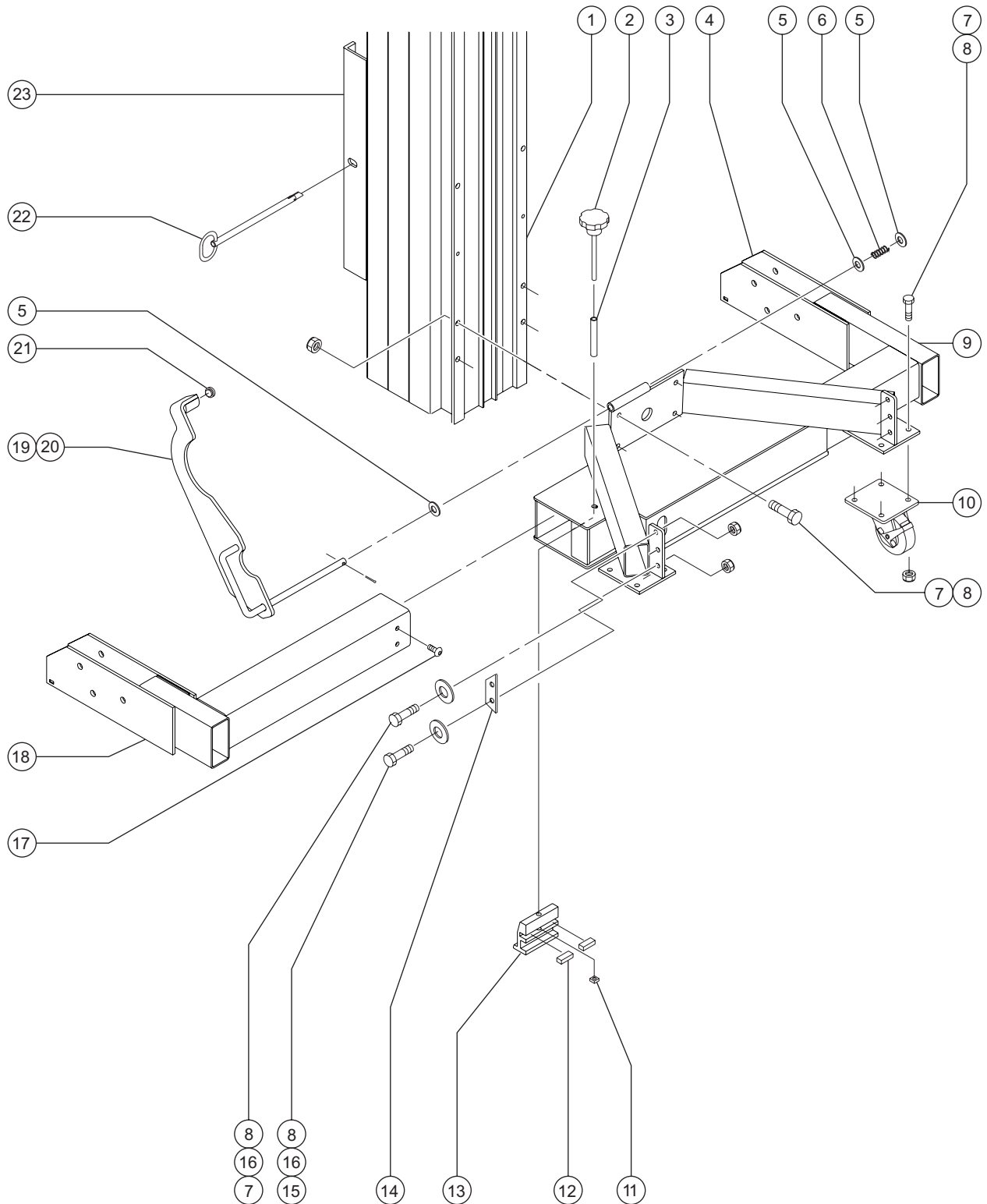
FIGURE 7-A

Item	Part No.	Description	Qty.
13	58750	Hold-down Assembly with Decals (SLK-5, SLK-10 and SLK-15) (before serial number SLK04-25259) (USA, Canadian and Australian models after serial number SLK04-25258) (includes items 12 and 14)	
—	107153	Hold-down Assembly with Decals (SLK-5, SLK-10 and SLK-15) (Asia, S. America and European models after serial number SLK04-25258) (includes items 12 and 14)	
—	58095	Hold-down Assembly with Decals (SLK-20 and SLK-25) (before serial number SLK04-25289) (USA, Canadian and Australian models after serial number SLK04-25258) (includes items 12 and 14)	
—	107154	Hold-down Assembly with Decals (SLK-20 and SLK-25) (Asia, S. America and European models after serial number SLK04-25258) (includes items 12 and 14)	
14	11890	Glide Button	1
15	38696	Toggle Pin, 0.5 x 7.75 inches	1
16	Ref.	Carriage (refer to Figure 8-D)	

Figure 7-B

REV B

Base Components - Straddle (SLK-5, SLK-10 and SLK-15)



REV B

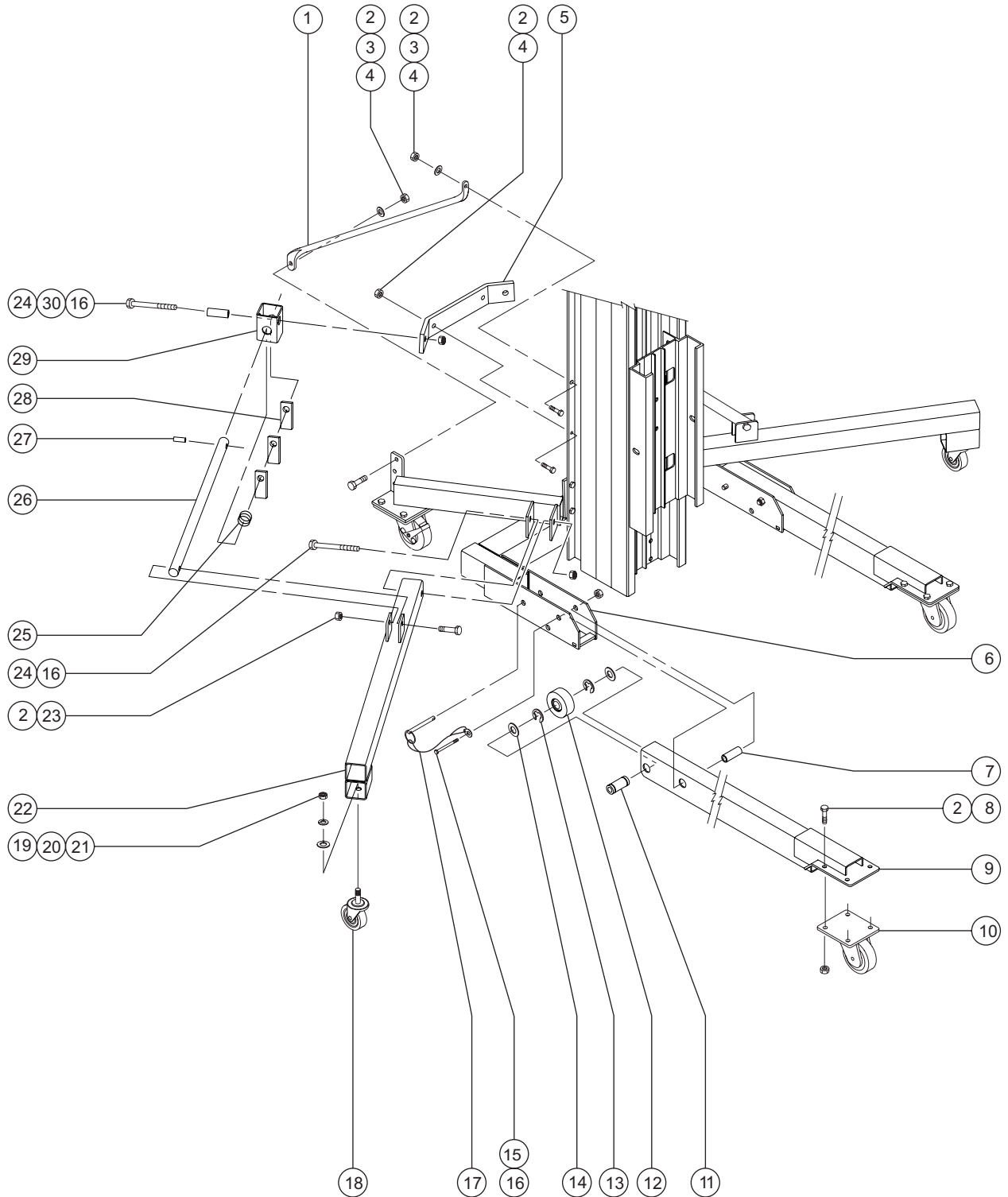
FIGURE 7-B

Item	PartNo.	Description	Qty.	Item	PartNo.	Description	Qty.
1	Ref.	Columns (refer to Figure 8-D)		19	107153	Hold-down Assembly with Decals (SLK-5, SLK-10 and SLK-15) (Asia, S. America and European models after serial number SLK04-25258) (includes items 12 and 14)	
2	33148	Straddle Base Knob	2				
3	33251	Straddle Base Spacer, 3 inches	2				
4	32531	Arm Straddle, Right Side	1				
5	21443	Shim Washer, 0.45 x 0.75 x 0.063 inch	3	20	12016	Cotter Pin, 0.125 x 0.75 inch	1
6	33658	Hold-down Spring	1	21	11890	Glide Button	1
7	6019	Screw - HHC, 3/8 -16 x 1.25 inches, GR 5		22	48301	Toggle Pin, 0.5 x 8.13 inches	1
8	4828	Nylock Nut, 3/8 -16		23	Ref.	Carriage (refer to Figure 8-D)	
9	80176-S	Straddle Base Assembly (SL K5)	1				
—	80177-S	Straddle Base Assembly (SLK-10)					
—	80178-S	Straddle Base Assembly (SLK-15)					
10	57740	Rear Swivel Caster, 5 x 2 inches	2				
11	35408	Square Nut, 3/8 -16					
12	46683	Straddle Retaining Block	4				
13	40255	Straddle Base Wedge	2				
14	33670	Wear Pad, 4.16 x 1.25 x 0.5 inch	2				
15	8516	Screw - HHC, 3/8 -16 x 1.5 inches, GR 5					
16	6097	Flat Washer, 3/8 inch					
17	28487	Screw - BHHS, 3/8 -16 x 1 inch					
18	32532	Arm Straddle, Left Side	1				
19	58750	Hold-down Assembly with Decals (SLK-5, SLK-10 and SLK-15) (before serial number SLK04-25259) (USA, Canadian and Australian models after serial number SLK04-25258) (includes items 12 and 14)					

Figure 7-C

REV C

Base Components - All Models



REV C

FIGURE 7-C

Item	PartNo.	Description	Qty.	Item	PartNo.	Description	Qty.
—	37481	Stabilizer Set Assembly (includes items 2 - 5, 16, 18 and 22 - 30)		24	6732	Screw - HHC, 1/2 -13 x 3.25 inches, GR 5	
1	32883	Mast Brace, Right Side	1	25	32519	Stabilizer Latch Spring	2
—	32884	Mast Brace, Left Side		26	58094	Stabilizer Strut Assembly (includes item 27)	2
2	4828	Nylock Nut, 3/8 -16		27	11337	Roll Pin, 0.25 x 1.25 inches	2
3	6097	Flat Washer, 3/8 inch		28	32577	Stabilizer Latch Plate	6
4	6019	Screw - HHC, 3/8 -16 x 1.25 inches, GR 5		29	32578P	Stabilizer Tube	2
5	35212-S	Stabilizer Mount Bracket	1	30	32576	Stabilizer Pivot Tube	2
6	Ref.	Standard Base Assembly with Decals (refer to Figure 7-A)					
7	32509	Leg Pivot Tube	2				
8	6175	Screw - HHC, 3/8 -16 x 1 inch, GR 5					
9	32879	Leg (SLK-5 and SL K-10)	2				
—	32880	Leg (SLK-15)					
—	32881	Leg (SLK-20 and SLK-25)					
10	57736	Front Swivel Caster, 4 x 2 inches	2				
11	32524	Leg Axle Tube	2				
12	57783	Wheel, 3.5 x 1.25 inches	2				
13	32499	E Clip, 0.875 inch	4				
14	33373	Flat Washer, 0.89 x 1.5 x 0.09 inch	4				
15	10598	Screw - HHC, 1/2 -13 x 3 inches, GR 5					
16	6086	Low Profile Nylock Nut, 1/2 -13					
17	100309	Pin Assembly with Lanyard	2				
18	57746	Side Swivel Caster, 3.5 x 1.25 inches	2				
19	6034	Hex Jam Nut, 1/2 -13					
20	6033	Lock Washer, 1/2 inch					
21	6095	Flat Washer, 1/2 inch					
22	32882	Leg Stabilizer	2				
23	5224	Screw - HHC, 3/8 -16 x 2 inches, GR 5					

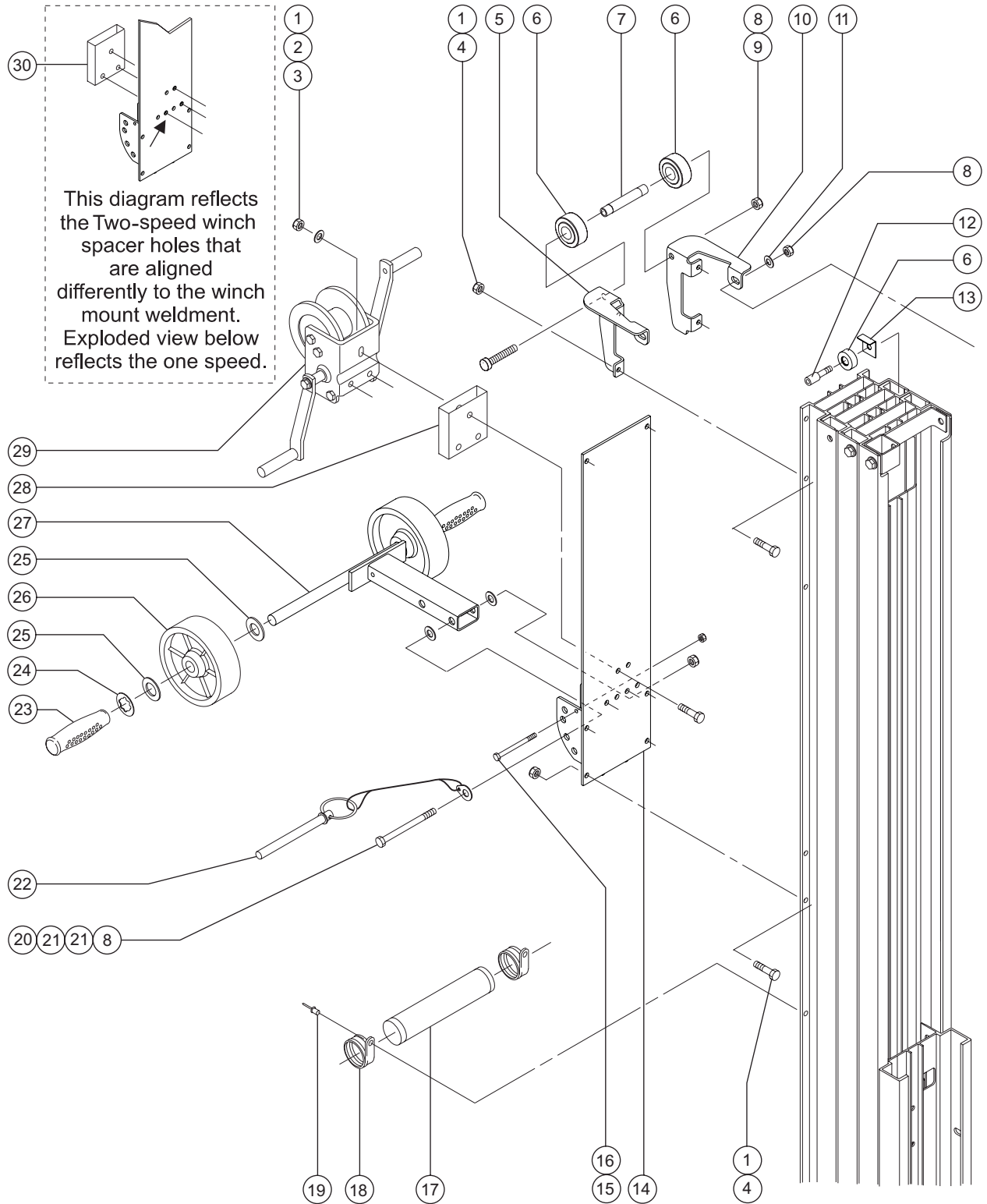
Section Eight

Mast and Winch Components

Figure 8-A

REV C

Mast Components, View 1



REV C

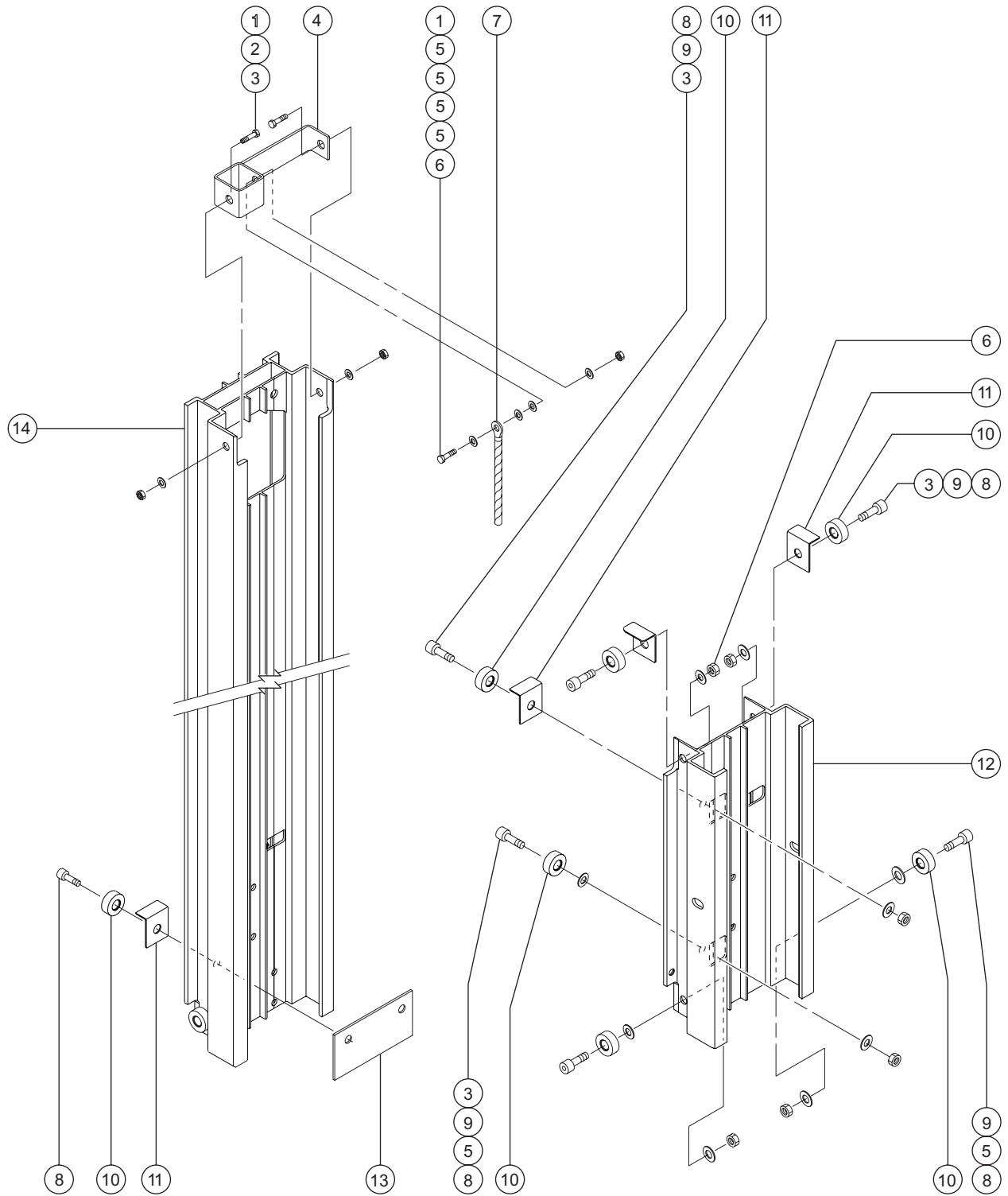
FIGURE 8-A

Item	PartNo.	Description	Qty.	Item	PartNo.	Description	Qty.
1	4828	Nylock Nut, 3/8 -16		15	12343	Screw - HHC, 1/4 -20 x 3 inches, GR 5	
2	6097	Flat Washer, 3/8 inch (One-speed winch)		16	6091	Nylock Nut, 1/4 -20	
—	6097	Flat Washer, 3/8 inch (Two-speed winch)		17	6600-S 31822	Instruction Tube with Caps 1 Tube Cap	
3	6326	Screw - HHC, 3/8 -16 x 3 inches, GR 5 (SLK-5 and SLK-10)		18	6653	Rubber Cushioned Clamp, 1.88 inches..... 2	
—	6175	Screw - HHC, 3/8 -16 x 1 inch, GR 5 (SLK-15, SLK-20 and SLK-25)		19	7265	Steel Rivet, 0.25 x 0.375 inch ... 2	
4	6019	Screw - HHC, 3/8 -16 x 1.25 inches, GR 5		20	6732	Screw - HHC, 1/2 -13 x 3.25 inches, GR 5	
5	109577	Right Side Mast Stiffener 1		21	11978	Nylon Flat Washer, 1/2 inch	
6	32473	Roller, 1.75 x 0.72 inch 4		22	100309	Pin Assembly with Lanyard 1	
7	33843	Mast Stiffener Spacer, 4.56 x 0.75 inch 1		23	6587	Rubber Grip 2	
8	6198	Nylock Nut, 1/2 -13		24	33385	Push-on Washer, 0.75 inch 2	
9	13005	Screw - HHC, 1/2 -13 x 6 inches, GR 8 1		25	6564	Shim Washer, 0.75 x 1.125 x 0.093 inch..... 4	
10	109578	Left Side Mast Stiffener 1		26	57788 37202	Wheel, 6 x 2 inches 2 Inner Axle Bushing	
11	6095	Flat Washer, 1/2 inch (before serial number SLC05-30640)		27	33540	Loading Wheel Assembly with Decals (before serial number SLK04-25259) (USA, Canadian and Australian models after serial number SLK04-25258) (includes items 24 - 27) 1	
—	109560	Nylon Washer, .51x .75 x .125 inch (after serial number SLK05-30639)		—	107156	Loading Wheel Assembly with Decals (before serial number SLK04-25259) (Asia, S. America and European models after serial number SLK04-25258) (includes items 24 - 27)	
12	32475	Roller Bolt, 1/2 -13 x 1.84 inches 2		28	35834	Winch Spacer, One-speed (SLK-5 and SLK-10)(before serial number SLK02-15120) 1	
13	32474	Roller Guard 2		—	80435	Winch Spacer, One-speed (SLK-5 and SLK-10)(after serial number SLK02-15119)	
14	80162	Winch Mount with Decals (before serial number SLK04-25259) (USA, Canadian and Australian models after serial number SLK04-25258) 1		29	Ref.	Winch Assembly (refer to Figures 8-E or 8-F)	
—	107155	Winch Mount with Decal (before serial number SLK04-25259) (Asia, S. America and European models after serial number SLK04-25258)		30	49991	Winch Spacer, Two-speed (SLK-5 and SLK-10)..... 1	

Figure 8-B

REV C

Mast Components, View 2



REV C

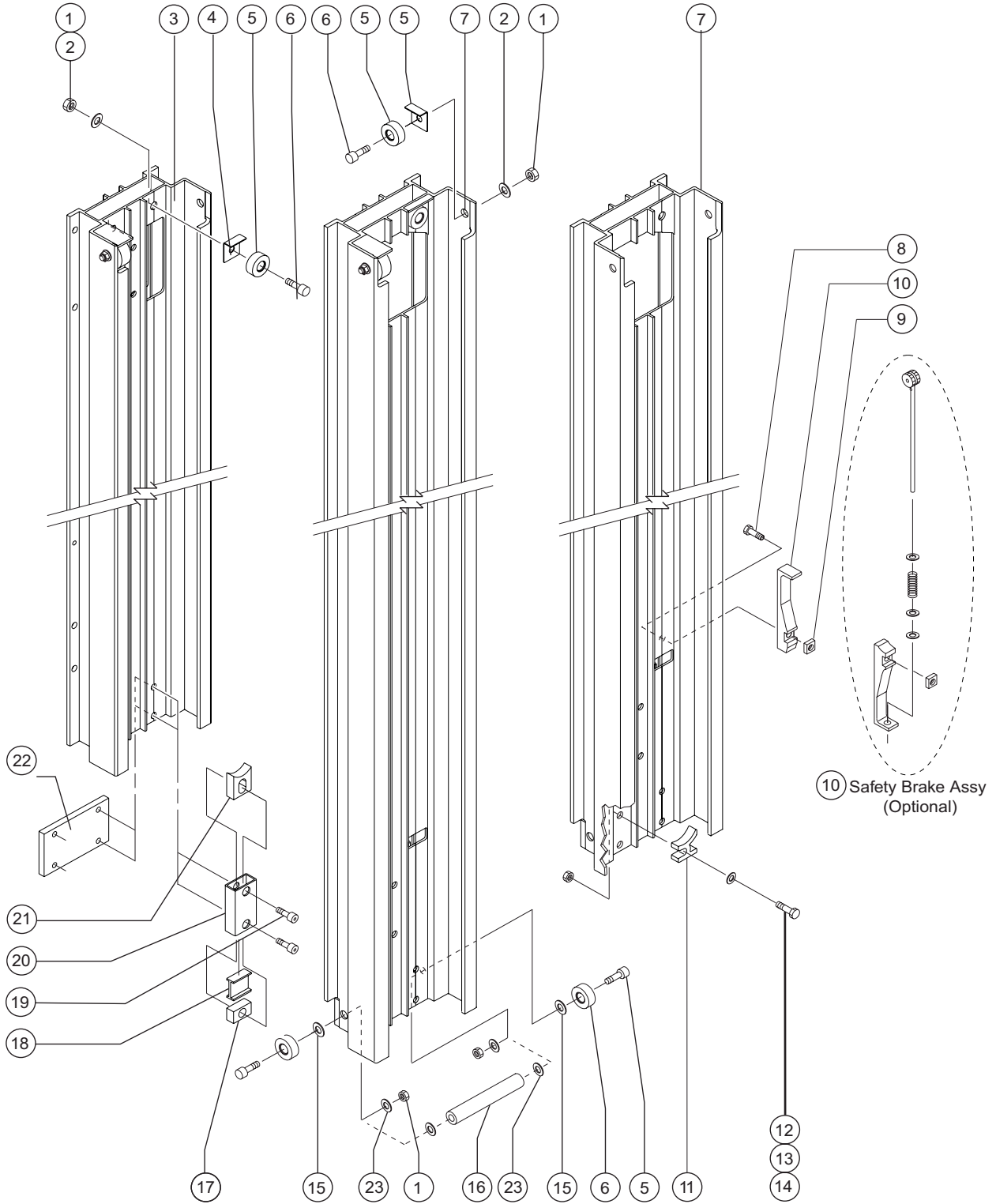
FIGURE 8-B

Item	Part No.	Description	Qty.
1	10597	Screw - HHC, 1/2 -13 x 1.25 inches, GR 5	
2	6095	Flat Washer, 1/2 inch (before serial number SLK05-30640)	
—	109560	Nylon Washer, .51x .75 x .125 inch (after serial number SLK05-30639)	
3	6198	Nylock Nut, 1/2 -13	
4	80987	Kit - Cable Anchor (before serial number SLK03-20409) .	1
—	80986	Cable Anchor (after serial number SLK03-20408)	
5	6052	Shim Washer, 0.5 x 0.875 x 0.063 inch.....	7
6	6086	Low Profile Nylock Nut, 1/2 -13	
7	Ref.	Cable Assembly (refer to Figure 8-D)	
8	32475	Roller Bolt, 1/2 -13 x 1.84 inches	8
9	13066	Hardened Flat Washer, 1/2 inch	
10	32473	Roller, 1.75 x 0.72 inch	8
11	32474	Roller Guard	5
12	Ref.	Carriage (refer to Figure 8-D)	
13	57016	Doubler Plate	1
14	Ref.	Number 1 Column (refer to Figure 8-D)	

Figure 8-C

REV D

Mast Components, View 3



REV D

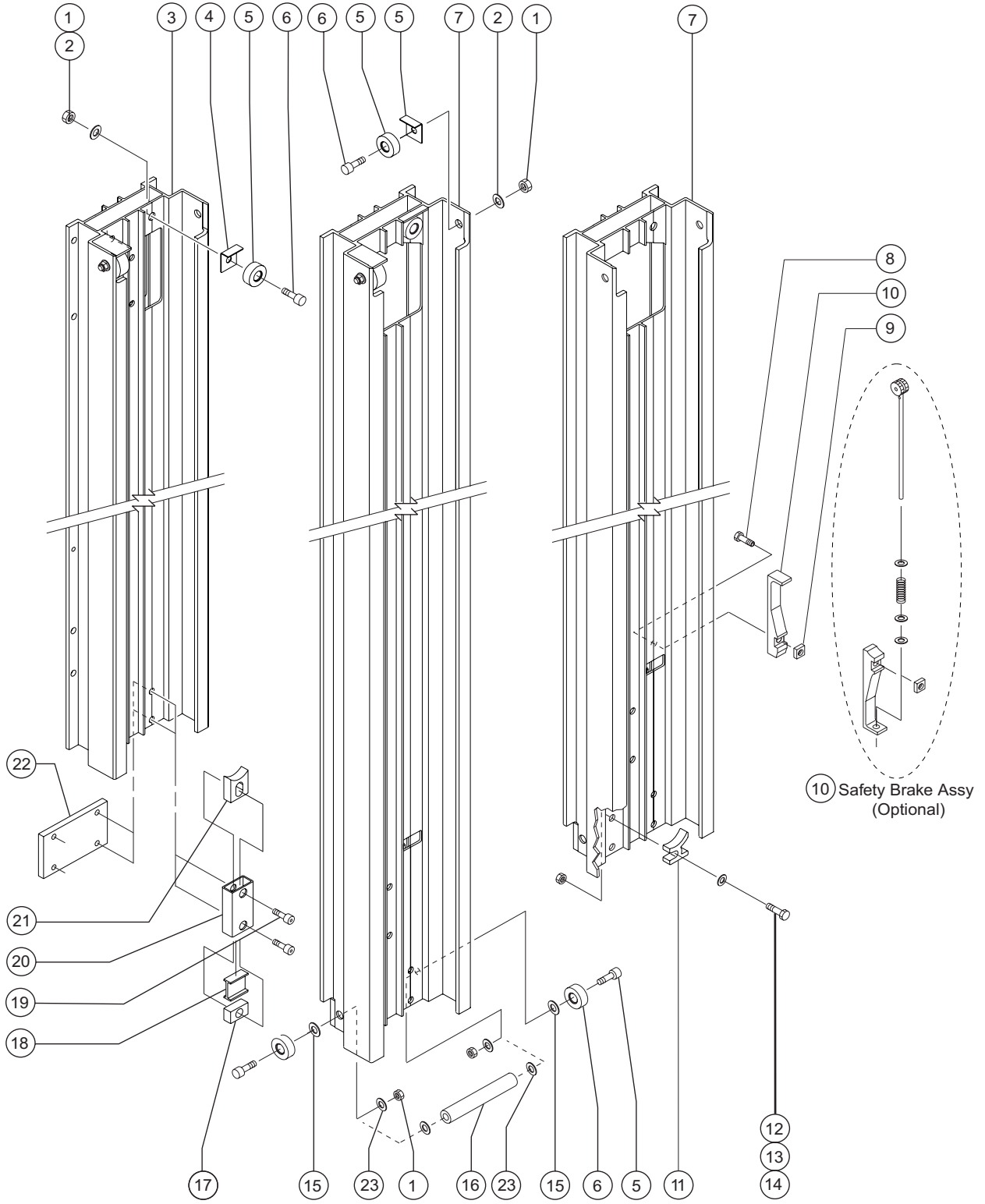
FIGURE 8-C

Item	Part No.	Description	Qty.	Item	Part No.	Description	Qty.
1	6198	Nylock Nut, 1/2 -13 (SLK-5, SLK-10, SLK-15, SLK-20 and SLK-25 models)		7	Ref.	Number 2 Column (refer to Figure 8-D)	
2	6095	Flat Washer, 1/2 inch (0.562 x 1.375 x 0.109 inch) (SLK-5, SLK-10, SLK-15, SLK-20 and SLK-25 models)		8	35463	Screw - FHS, 3/8 -16 x 1.5 inches (SLK-5, SLK-10, SLK-15, SLK-20 and SLK-25 models)	
—	109560	Nylon Washer, .51x .75 x .125 inch (SLK-5, SLK-10, SLK-15, SLK-20 and SLK-25 models) (after serial number SLK05-30639)		9	35408	Square Nut, 3/8 -16, Plated (SLK-5, SLK-10, SLK-15, SLK-20 and SLK-25 models)	
3	Ref.	Number 1 Column (refer to Figure 8-D)		10	35443	Up Stop (for models without safety brake) (SL K-5)..... 1	
4	32474	Roller Guard (SL K-5)..... 3		—	35443	Up Stop (for models without safety brake) (SL K-10)..... 2	
—	32474	Roller Guard (SLK-10)..... 7		—	35443	Up Stop (for models without safety brake) (SL K-15)..... 3	
—	32474	Roller Guard (SLK-15)..... 12		—	35443	Up Stop (for models without safety brake) (SL K-20)..... 4	
—	32474	Roller Guard (SLK-20)..... 17		—	35443	Up Stop (for models without safety brake) (SL K-25)..... 5	
—	32474	Roller Guard (SLK-25)..... 22		10	35101	Safety Brake Assembly (if equipped) (SLK-15) (includes items 8 and 9)..... 2	
5	32473	Roller, 1.75 x 0.72 inch (SL K-5)..... 3		—	35101	Safety Brake Assembly (if equipped) (SLK-20) (includes items 8 and 9)..... 3	
—	32473	Roller, 1.75 x 0.72 inch (SLK-10)..... 9		—	35101	Safety Brake Assembly (if equipped) (SLK-25) (includes items 8 and 9)..... 3	
—	32473	Roller, 1.75 x 0.72 inch (SLK-15)..... 14		11	32522	Down Stop 1	
—	32473	Roller, 1.75 x 0.72 inch (SLK-20)..... 19		12	6019	Screw - HHC, 3/8 -16 x 1.25 inches, GR 5	
—	32473	Roller, 1.75 x 0.72 inch (SLK-25)..... 24		13	12013	Shim Washer, 0.375 x 0.625 x 0.063 inch..... 1	
6	32475	Roller Bolt, 1/2 -13 x 1.84 inches (SLK-5)..... 3		14	4828	Nylock Nut, 3/8 -16	
—	32475	Roller Bolt, 1/2 -13 x 1.84 inches (SLK-10)..... 9		15	6052	Shim Washer, 0.5 x 0.875 x 0.063 inch (SLK-5, SLK-10, SLK-15, SLK-20 and SLK-25 models)	
—	32475	Roller Bolt, 1/2 -13 x 1.84 inches (SLK-15)..... 14					
—	32475	Roller Bolt, 1/2 -13 x 1.84 inches (SLK-20)..... 19					
—	32475	Roller Bolt, 1/2 -13 x 1.84 inches (SLK-25)..... 24					

This list continues on the next page.

FIGURE 8-C

REV D



REV D

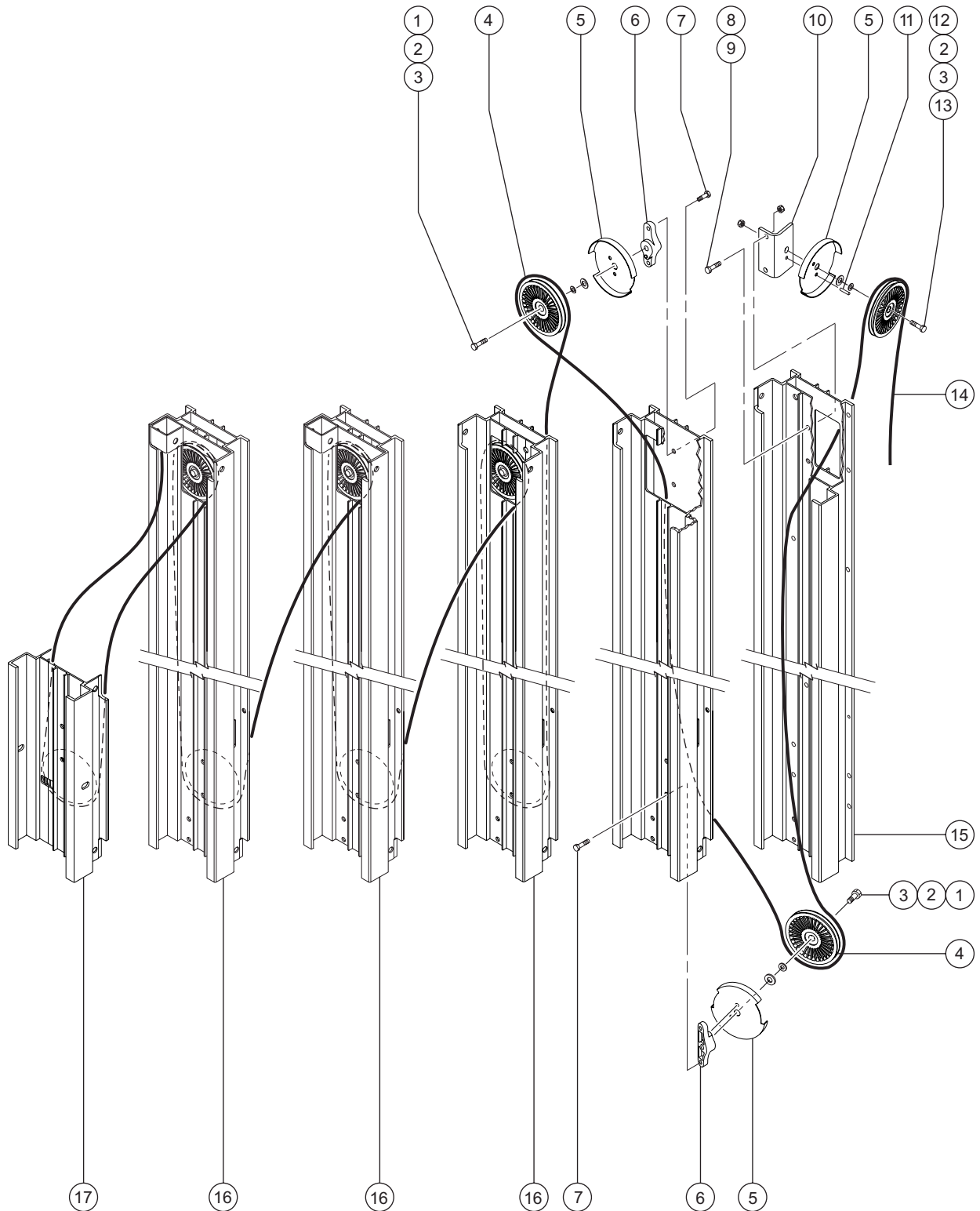
FIGURE 8-C

Item	PartNo.	Description	Qty.
16	33811	Coupler Bar (SL K-20 and SLK-25).....	1
17	57019	Down Stop Block (SL K-10).....	1
—	57019	Down Stop Block (SL K-15).....	4
—	57019	Down Stop Block (SL K-20).....	6
—	57019	Down Stop Block (SL K-25).....	8
18	57022	Down Stop Rubber Bumper (SL K-10).....	1
—	57022	Down Stop Rubber Bumper (SL K-15).....	4
—	57022	Down Stop Rubber Bumper (SL K-20).....	6
—	57022	Down Stop Rubber Bumper (SL K-25).....	8
19	57023	Shoulder Bolt, 3/8 -16 x 0.75 inch, GR 5 (SLK-10, SLK-15, SLK-20 and SLK-25 models)	
20	57021	Down Stop Tube (SL K-10).....	1
—	57021	Down Stop Tube (SL K-15).....	4
—	57021	Down Stop Tube (SL K-20).....	6
—	57021	Down Stop Tube (SL K-25).....	8
21	57018	Down Stop Plunger Block (SLK-10, SLK-15, SLK-20 and SL K-25).....	1
22	57024	Down Stop Plate (SLK-10, SLK-15, SLK-20 and SL K-25).....	1
23	13066	Hardened Flat Washer, 1/2 inch	

Figure 8-D

REV D

Columns, Pulleys and Cables



REV D

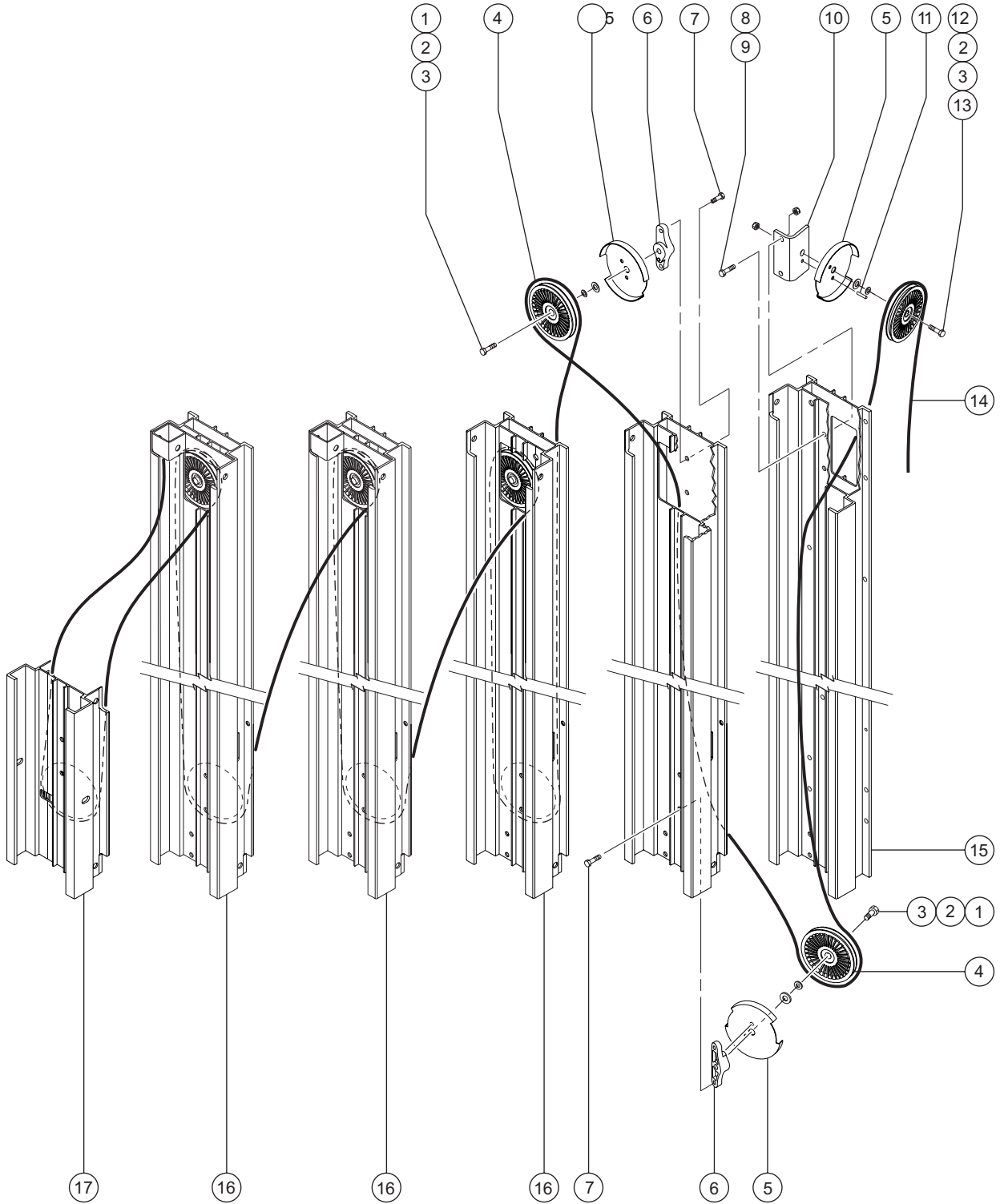
FIGURE 8-D

Item	PartNo.	Description	Qty.	Item	PartNo.	Description	Qty.
1	10597	Screw - HHC, 1/2 -13 x 1.25 inches, GR 5 (SL K-5).....	1	4	49999	Pulley with Bearing, 4.65 x 4.05 inches (SL K-5).....	2
—	10597	Screw - HHC, 1/2 -13 x 1.25 inches, GR 5 (SL K-10).....	3	—	49999	Pulley with Bearing, 4.65 x 4.05 inches (SL K-10).....	4
—	10597	Screw - HHC, 1/2 -13 x 1.25 inches, GR 5 (SL K-15).....	5	—	49999	Pulley with Bearing, 4.65 x 4.05 inches (SL K-15).....	6
—	10597	Screw - HHC, 1/2 -13 x 1.25 inches, GR 5 (SL K-20).....	7	—	49999	Pulley with Bearing, 4.65 x 4.05 inches (SL K-20).....	8
—	10597	Screw - HHC, 1/2 -13 x 1.25 inches, GR 5 (SL K-25).....	9	—	49999	Pulley with Bearing, 4.65 x 4.05 inches (SL K-25).....	10
2	37038	Shim Washer, 0.51 x 0.8 x 0.125 inch (SL K-5).....	2	5	80680	Pulley Guard (SL K-5).....	2
—	37038	Shim Washer, 0.51 x 0.8 x 0.125 inch (SL K-10).....	4	—	80680	Pulley Guard (SL K-10).....	4
—	37038	Shim Washer, 0.51 x 0.8 x 0.125 inch (SL K-15).....	6	—	80680	Pulley Guard (SL K-15).....	6
—	37038	Shim Washer, 0.51 x 0.8 x 0.125 inch (SL K-20).....	8	—	80680	Pulley Guard (SL K-20).....	8
—	37038	Shim Washer, 0.51 x 0.8 x 0.125 inch (SL K-25).....	10	—	80680	Pulley Guard (SL K-25).....	10
3	6052	Shim Washer, 0.5 x 0.875 x 0.063 inch (SL K-5).....	2	6	32470	Pulley Mount (SL K-5).....	1
—	6052	Shim Washer, 0.5 x 0.875 x 0.063 inch (SL K-10).....	4	—	32470	Pulley Mount (SL K-10).....	3
—	6052	Shim Washer, 0.5 x 0.875 x 0.063 inch (SL K-15).....	6	—	32470	Pulley Mount (SL K-15).....	5
—	6052	Shim Washer, 0.5 x 0.875 x 0.063 inch (SL K-20).....	8	—	32470	Pulley Mount (SL K-20).....	7
—	6052	Shim Washer, 0.5 x 0.875 x 0.063 inch (SL K-25).....	10	—	32470	Pulley Mount (SL K-25).....	9
				7	8255	Screw - HHC, 3/8 -16 x 0.75 inch, GR 5 (SL K-5).....	2
				—	8255	Screw - HHC, 3/8 -16 x 0.75 inch, GR 5 (SL K-10).....	6
				—	8255	Screw - HHC, 3/8 -16 x 0.75 inch, GR 5 (SL K-15).....	10

This list continues on the next page.

FIGURE 8-D

REV D



REV D

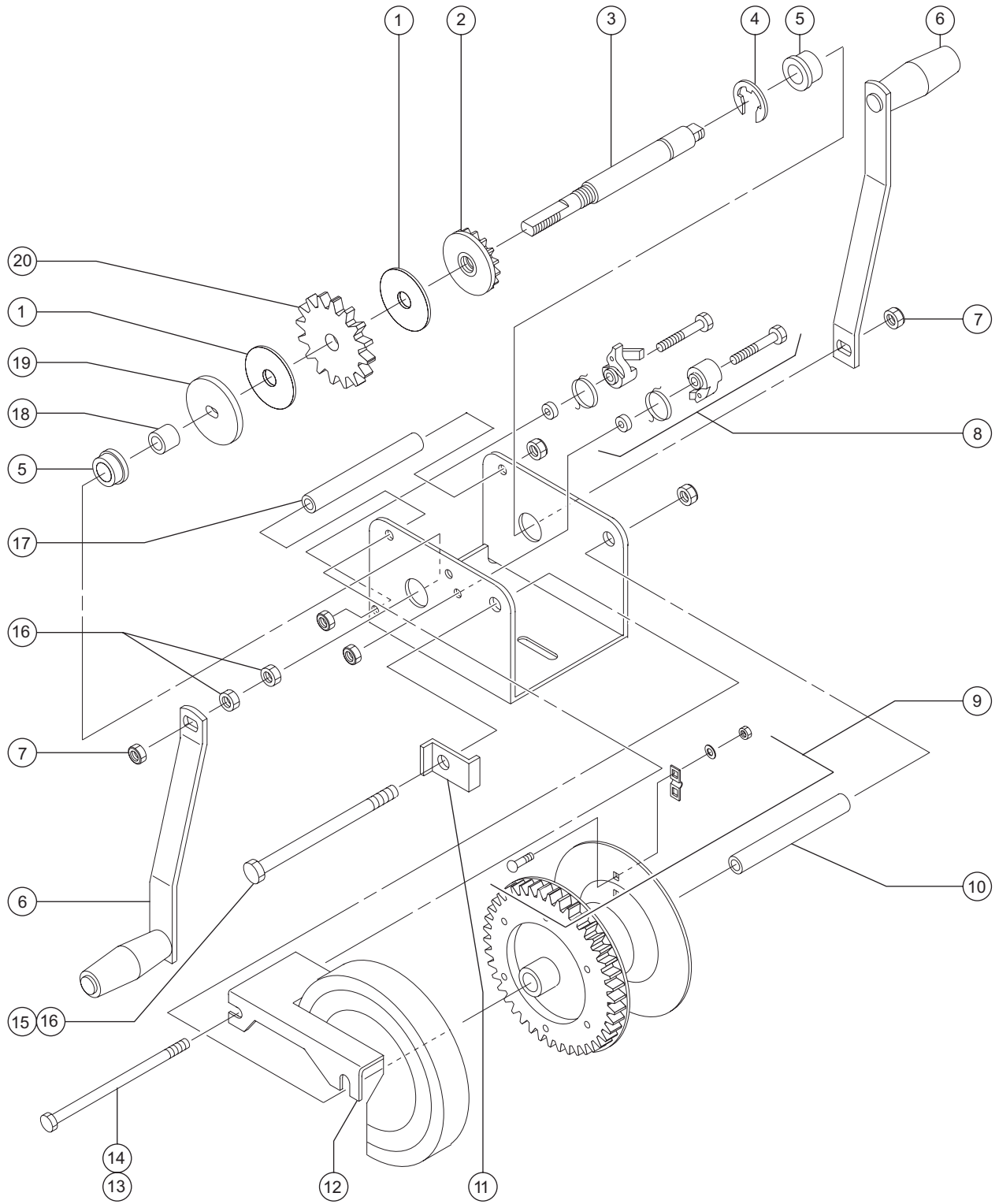
FIGURE 8-D

Item	PartNo.	Description	Qty.	Item	PartNo.	Description	Qty.
7	8255	Screw - HHC, 3/8 -16 x 0.75 inch, GR 5 (SL K-20).....	14	16	57033-S	Number 2 Column (SLK-10) (after serial number 5599-3360).....	1
—	8255	Screw - HHC, 3/8 -16 x 0.75 inch, GR 5 (SL K-25).....	20	—	57033-S	Number 2 Column (SLK-15) (after serial number 5599-3361).....	2
8	6019	Screw - HHC, 3/8 -16 x 1.25 inches, GR 5 (all models)		—	57033-S	Number 2 Column (SLK-20) (after serial number 5599-3404).....	3
9	4828	Nylock Nut, 3/8 -16		—	57033-S	Number 2 Column (SLK-25) (after serial number 5599-3827).....	4
10	33700	Pulley Guard Bracket (all models)	1	17	57034	Carriage (SLK-5) (after serial number 5599-3745)	1
11	32483	Roll Pin, 0.25 x 0.5 inch (all models)	1	—	57034	Carriage (SLK-10) (after serial number 5599-3360)	
12	8177	Screw - HHC, 1/2 -13 x 1.5 inches, GR 5 (all models)		—	57034	Carriage (SLK-15) (after serial number 5599-3361)	
13	6198	Nylock Nut, 1/2 -13 (all models)		—	57035	Carriage (SLK-20) (after serial number 5599-3404)	
14	6443	Cable Assembly (SL K-5)	1	—	57035	Carriage (SLK-25) (after serial number 5599-3827)	
—	6444	Cable Assembly (SLK-10)					
—	32903	Cable Assembly (SLK-15)					
—	32904	Cable Assembly (SLK-20)					
—	32905	Cable Assembly (SLK-25)					
15	57032-S	Number 1 Column (SLK-5) (after serial number 5599-3745).....	1				
—	57032-S	Number 1 Column (SLK-10) (after serial number 5599-3360)					
—	57032-S	Number 1 Column (SLK-15) (after serial number 5599-3361)					
—	57032-S	Number 1 Column (SLK-20) (after serial number 5599-3404)					
—	57032-S	Number 1 Column (SLK-25) (after serial number 5599-3827)					

Figure 8-E

Winch Components, One-speed

REV C



REV C

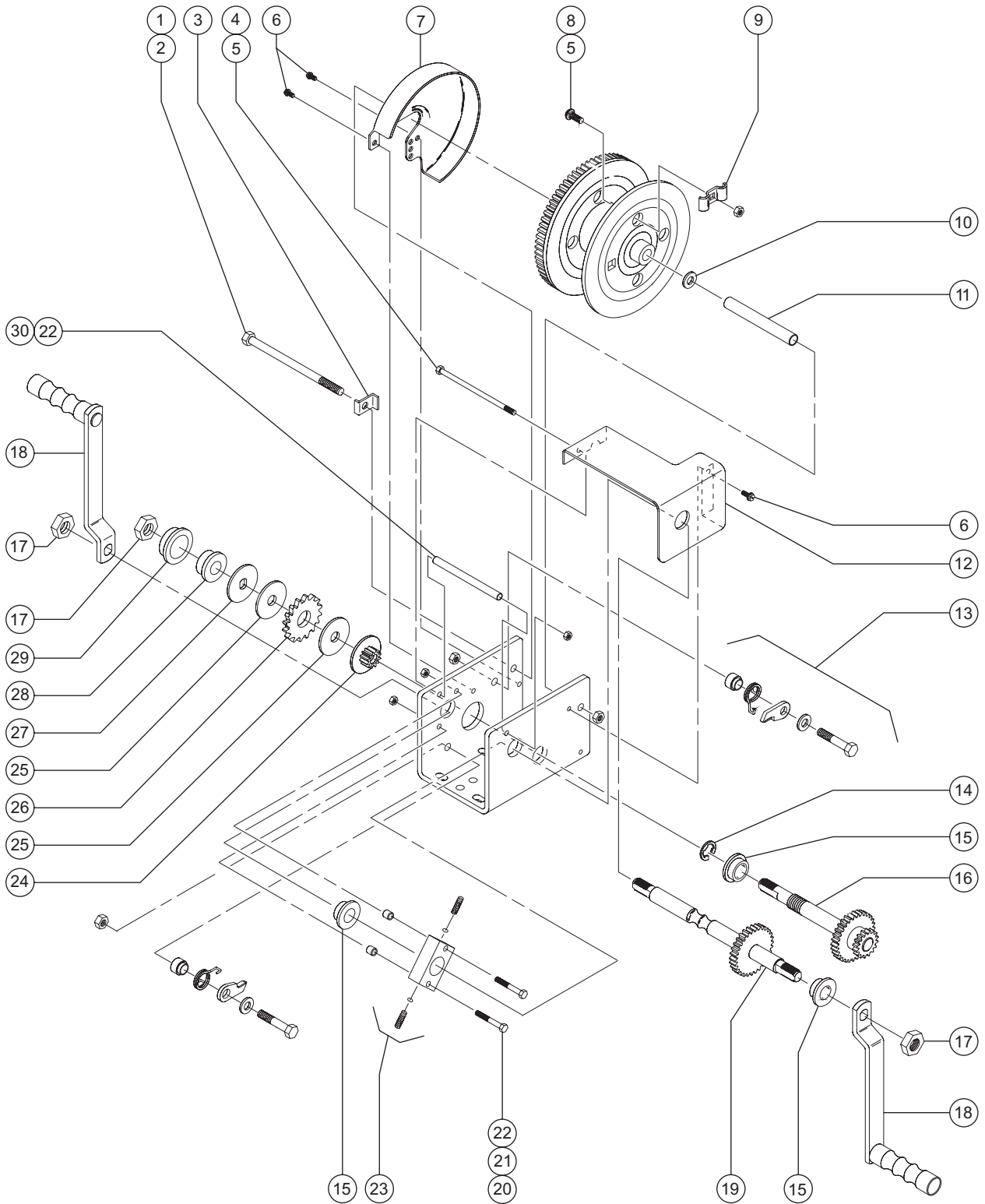
FIGURE 8-E

Item	Part No.	Description	Qty.	Item	Part No.	Description	Qty.
—	32945	Winch Assembly with Decals (before serial number SLK04-25259) (USA, Canadian and Australian models after serial number SLK04-25258)		16	6034	Hex Jam Nut, 1/2 -13	
—	107157	Winch Assembly with Decals (before serial number SLK04-25259) (Asia, S. America and European models after serial number SLK04-25258)		17	7584	Frame Spacer	1
				18	32890	Pinion Shaft Spacer	1
				19	7591	Pinion Plate	1
				20	6777	Ratchet Gear	1
1	7571	Disc Brake	2				
2	7590	Pinion Gear	1				
3	32891	Pinion Shaft	1				
4	6200	Retaining Ring, 0.75 inch	1				
5	6199	Pinion Shaft Bushing	2				
6	33143	Winch Handle, 6 inches (SLK-5)	2				
—	33144	Winch Handle, 8 inches (SLK-10, SLK-15, SLK-20 and SLA-25)					
7	6086	Low Profile Nylock Nut, 1/2 -13					
8	40458	Ratchet Pawl Kit	1				
9	6190	Cable Keeper Kit	1				
—	80159	Carriage Bolt, 10-24 x 0.63 inch					
—	80160	Cable Keeper					
—	80161	Internal Star Washer, 5/8 inch					
—	25625	Hex Nut, 10-24					
10	6184	Drum Spacer	1				
11	31946	Drum Lock Bolt	1				
12	6770	Winch Gear Cover	1				
13	7256	Screw - HHC, 5/16 -18 x 6 inches, GR 2					
14	6782	Lock Nut, 5/16 -18					
15	6185	Drum Bolt	1				

Figure 8-F

REV C

Winch Components, Two-speed



REV C

FIGURE 8-F

Item	PartNo.	Description	Qty.	Item	PartNo.	Description	Qty.
—	32946	Winch Assembly with Decals (before serial number SLK04-25259) (USA, Canadian and Australian models after serial number SLK04-25258)		14	40116	Retaining Ring, 0.75 inch.....	1
—	107158	Winch Assembly with Decals (before serial number SLK04-25259) (Asia, S. America and European models after serial number SLK04-25258)		15	40126	Sintered Iron Bearing, 0.75 inch	
—	40130	Cable Keeper Kit (includes items 5, 8 and 9)		16	80155	Pinion Shaft Assembly.....	1
1	78037	Screw - HHC, 3/8 -16 x 5.5 inches		17	38028	Low Profile Nylock Nut, 5/8 -11	
2	4828	Nylock Nut, 3/8 -16		18	40125	Handle, 8 inches	2
3	80145	Reel Lock Bolt	1	19	72264	Input Shaft Assembly	1
4	80146	Screw - HHC, 1/4 -20 x 5.25 inches		20	6145	Screw - HHC, 1/4 -20 x 1.5 inches, GR 5	
5	6091	Nylock Nut, 1/4 -20		21	40115	Brake Spring Spacer.....	2
6	80147	Screw - FHC, Threaded, 1/2 inch		22	6889	Low Profile Nylock Nut, 1/4 -20	
7	80148	Reel Cover	1	23	40127	Detent Block Assembly	1
8	80149	Carriage bolt, 1/4 -20 x 0.5 inch		—	40509	Detent Spring	2
9	37065	Cable Keeper	1	—	40510	Detent Ball	2
10	80150	Flat Washer, 1/2 inch		—	80156	Detent Block	1
11	40113	Reel Spacer	1	24	80157	Pinion Gear	1
12	80151	Gear Cover	1	25	37061	Disc Brake	2
13	40117	Ratchet Pawl Kit.....	1	26	37062	Ratchet Gear.....	1
—	8516	Screw - HHC, 3/8 -16 x 1.5 inches, GR 5		27	40122	Pinion Plate	1
—	5397	Flat Washer, 5/16 inch		28	40123	Brake Spacer	1
—	80154	Ratchet Pawl		29	37064	Pinion Shaft Bushing	1
—	80153	Ratchet Spring		30	40128	Base Spacer	1
—	80152	Ratchet Spacer					
—	4828	Nylock Nut, 3/8 -16					

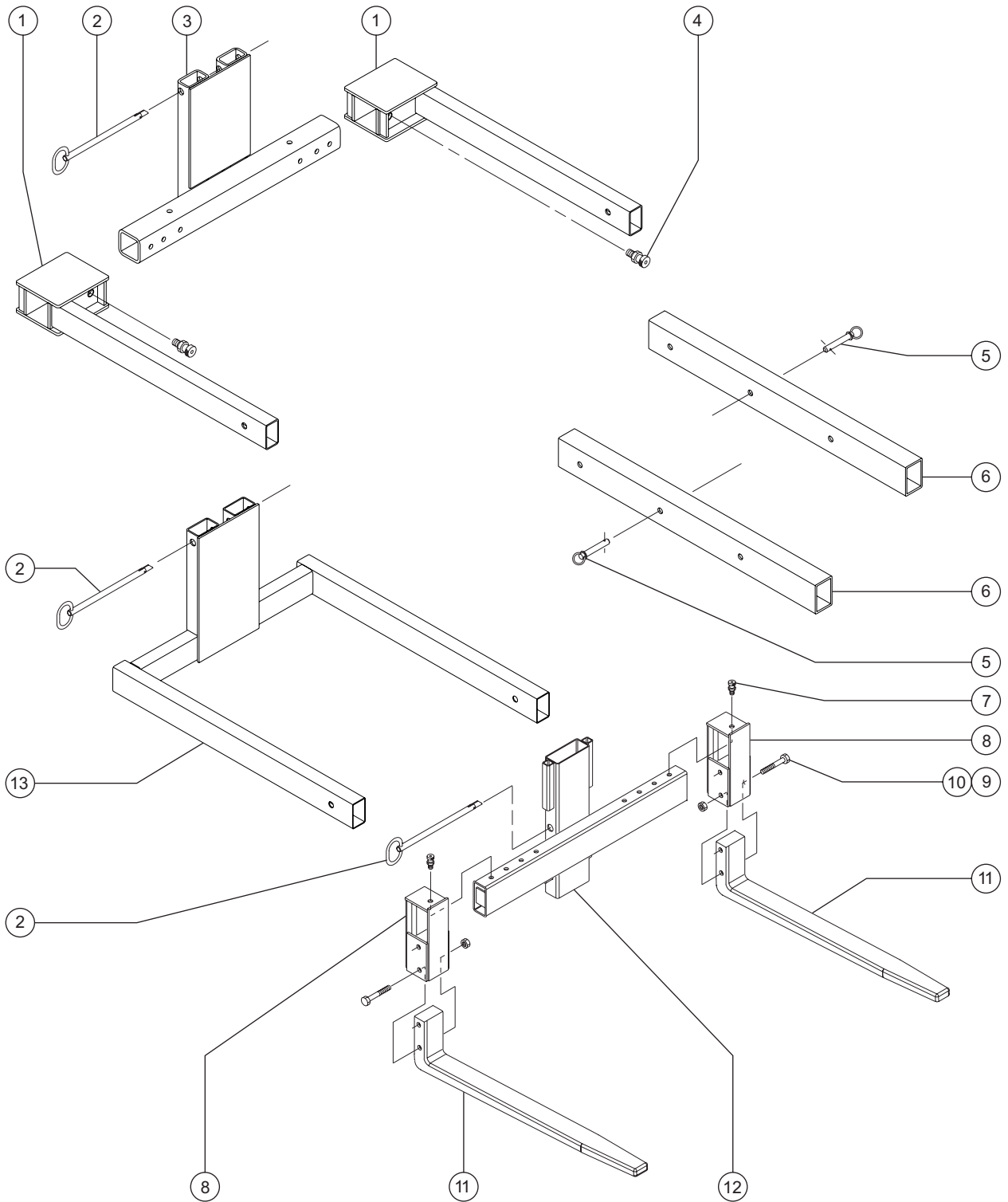
Section Nine

Accessories

Figure 9-A

REV B

Forks



REV B

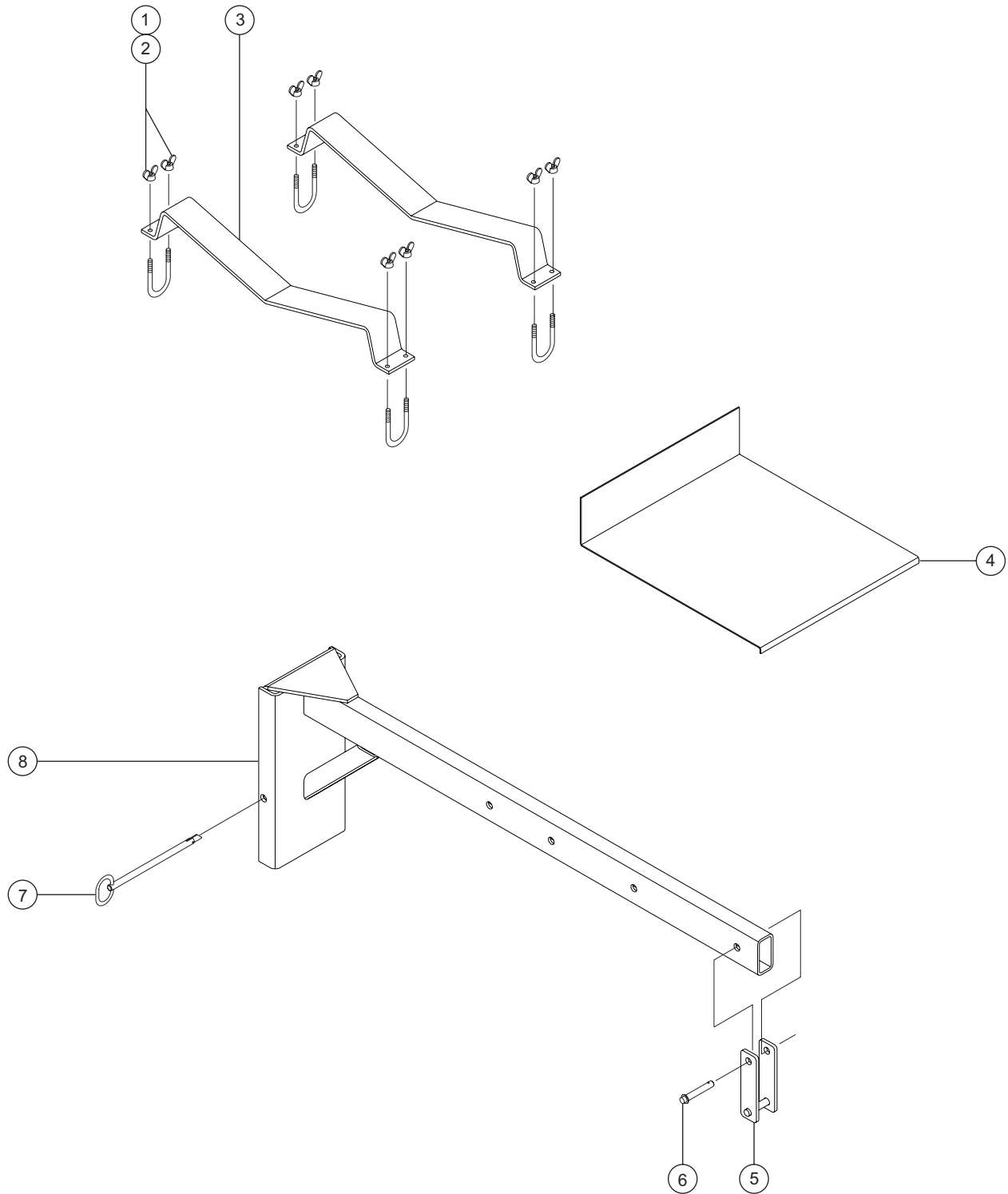
FIGURE 9-A

Item	PartNo.	Description	Qty.	Item	PartNo.	Description	Qty.
—	32564-S	Adjustable Fork Assembly with Decals (before serial number SLK04-25259) (USA, Canadian and Australian models after serial number SLK04-25258) (includes Items 1- 4)		12	32907	Flat Forks Carrier Assembly with Decals (before serial number SLK04-25259) (USA, Canadian and Australian models after serial number SLK04-25258)	1
—	107161	Adjustable Fork Assembly with Decals (Asia, S. America and European models after serial number SLK04-25258) (includes Items 1- 4)		—	107163	Flat Forks Carrier Assembly (Asia, S. America and European models after serial number SLK04-25258)	
1	32548-S	Adjustable Fork	2	13	32906	Standard fork with Decals (before serial number SLK04-25259) (USA, Canadian and Australian models after serial number SLK04-25258)	1
2	48301	Toggle Pin, 0.5 x 8.13 inches	3	—	107164	Standard fork with Decals (Asia, S. America and European models after serial number SLK04-25258)	
3	32908	Adjustable Carrier Assembly with Decals (before serial number SLK04-25259) (USA, Canadian and Australian models after serial number SLK04-25258)	1				
—	107162	Adjustable Carrier Assembly with Decals (Asia, S. America and European models after serial number SLK04-25258)					
4	33674	Snap Pin, 0.375 x 0.25 inch	2				
5	80679	Ball Retaining Pin, 0.5 x 2.7 inches	2				
6	33366-S	Fork Extension	2				
7	32375	Snap Pin, 0.63 x 2.29 inches	2				
8	32541-S	Flat Fork Socket	2				
9	8220	Screw - HHC, 1/2 -13 x 4 inches, GR 5					
10	6198	Nylock Nut, 1/2 -13					
11	32539	Flat Fork Casting	2				

Figure 9-B

REV B

Pipe Cradle, Load Platform and Boom Arm



REV B

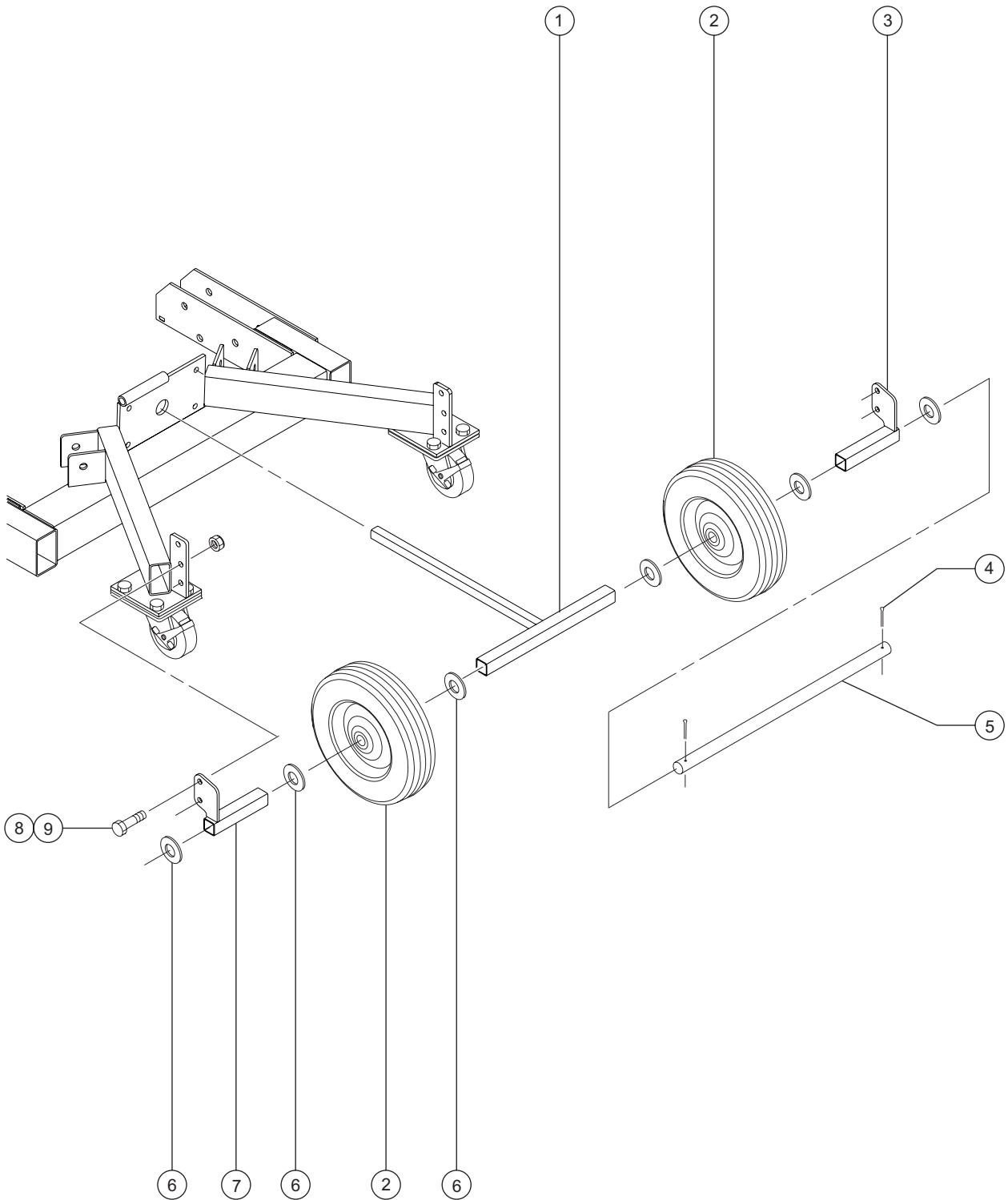
FIGURE 9-B

Item	Part No.	Description	Qty.
1	8170	Wing Nut, 1/4 -20	
2	33045	U-bolt, 1/4 -20 x 1.5 x 3.75 x 1.25 inches	4
3	80597	Pipe Cradle	2
4	32937	Load Platform Assembly with Decals (before serial number SLK04-25259) (USA, Canadian and Australian models after serial number SLK04-25258)	1
—	107165	Load Platform Assembly with Decals (Asia, S. America and European models after serial number SLK04-25258)	
5	32579-S	Clevis Boom	1
6	80679	Ball Retaining Pin, 0.5 x 2.7 inches	1
7	48301	Toggle Pin, 0.5 x 8.13 inches	1
8	32567-S	Boom Arm Assembly with Decals (before serial number SLK04-25259) (USA, Canadian and Australian models after serial number SLK04-25258) (includes items 5 - 7)	1
—	107166	Boom Arm Assembly with Decals (Asia, S. America and European models after serial number SLK04-25258) (includes items 5 - 7)	

Figure 9-C

Rear Wheels

REV C



REV C

FIGURE 9-C

Item	Part No.	Description	Qty.
—	35848-S	Rear Wheel Accessory, Complete	
1	33831-S	Wheel Spacer	1
2	35064	Rear Wheel, 10 x 2.75 inches (before serial number SLK07-37480)	2
—	124000	Rear Wheel, 10 x 2.75 inches (after serial number SLK07-37479S)	
3	33830-S	Rear Spacer Mount, Right Side	1
4	6094	Cotter Pin, 0.125 x 1 inch	2
5	57237	Transport Wheels Axle Rod	1
6	6564	Shim Washer, 0.75 x 1.125 x 0.093 inch	6
7	33829-S	Rear Spacer Mount, Left Side	1
8	6019	Screw - HHC, 3/8 -16 x 1.25 inches, GR 5	
9	4828	Nylock Nut, 3/8 -16	

Figure 10

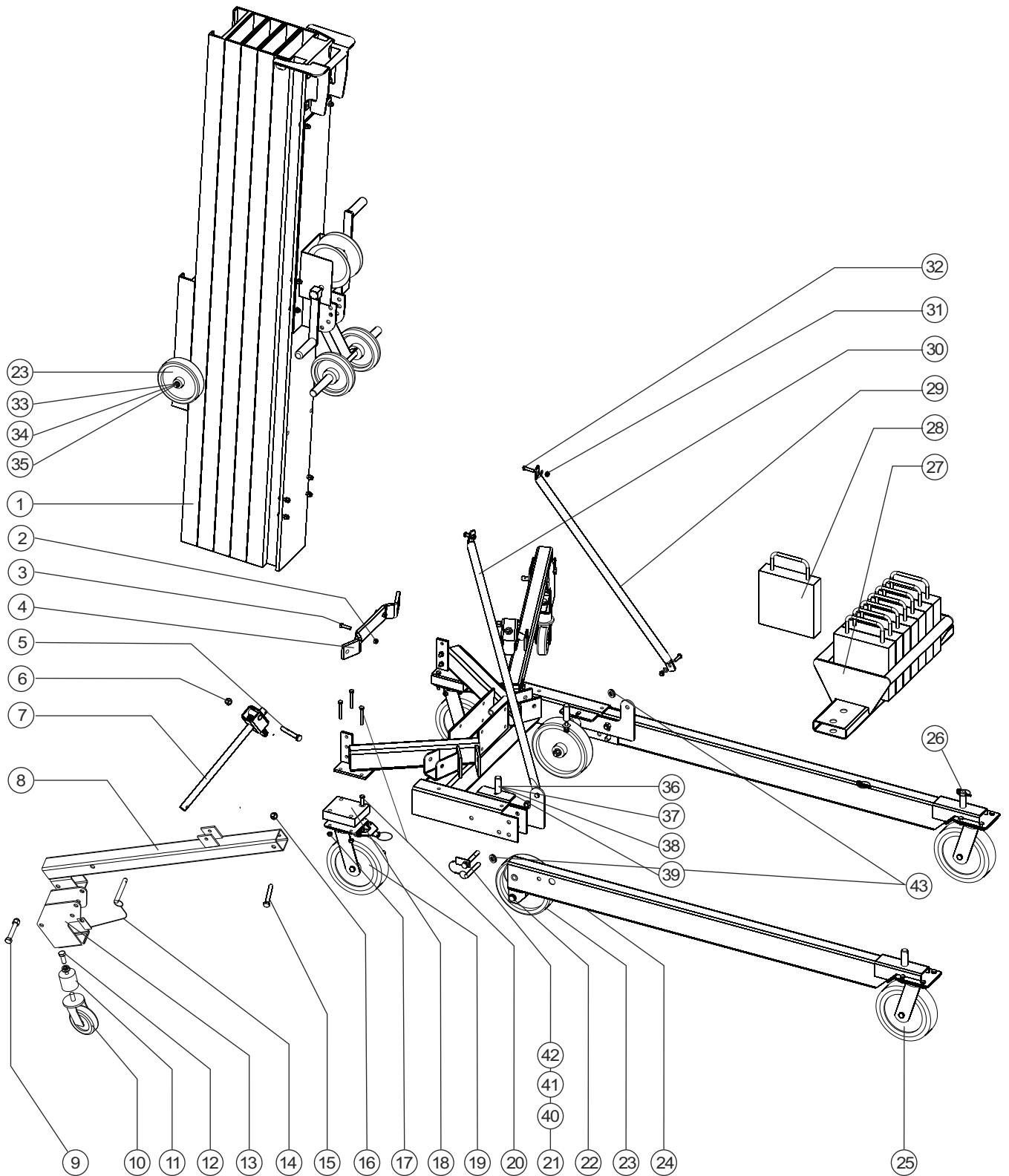


FIGURE 10

Item No.	Bezeichnung	Qty.	Item No.	Bezeichnung	Qty.
1	— Mast komplett	1	21	100309 Pin-Assy	2
2	9001 Nut	2	22	13005 Bolt-Assy	2
3	9002 Screw	2	23	9022 Wheel	4
4	9003 Bracket	1	24	9023 Leg	2
5	9004 Screw	2	25	9024 Caster	2
6	9005 Nut	2	26	37512 Tilting splint pin	2
7	9006 Stabiliser compl.	2	27	9026 Box	1
8	9007 Tube	2	28	9027 Weight	8
9	9008 Screw	2	29	9028 Stabilizer right	1
10	57746 Caster	2	30	9029 Stabilizer left	1
11	9010 Tube	2	31	9030 Nut	2
12	6198 Screw	2	32	9031 Screw	2
13	9012 Bracke - Stabi	2	33	6732 Screw	2
14	9013 Pin Assy	2	34	8W900038 Bolt-Assy	2
15	9014 Screw	2	35	6086 Nut	2
16	9015 Nut	2	36	9032 Bolt (metric)	2
17	9016 Nut	8	37	9033 Bolt-Assy	2
18	9017 Block	2	38	9034 Lock washer	2
19	9018 Caster-Lock	2	39	9035 Screw	2
20	9019 Screw	8	40	6198 Nut	2
			41	6095 Disc Brake	4
			42	9021 Pin Assy	1
			43	8W900039 Axle Distance	2

Norbert Wienold GmbH
Industriegebiet Waldstr. 35a
D-48488 Emsbüren

Tel. +49 59 03 - 93 94 0
Fax +49 59 03 - 93 94 50

www.wienold-lifte.de
e-mail: info@wienold-lifte.de

Addresses:

München - Schwäbisch Hall
Frankfurt - Leverkusen
Emsbüren - Walsrode
Brandenburg - Dresden